



High Speed Cutting Made Affordable

MultiCam's Celero 3 Series is an economical turnkey cutter/router solution for the small-to-mid size Print Service Provider. This system is suited to provide versatility as it can cut a multitude of materials with a high-degree of precision. Its modular tooling includes Universal and Oscillating Knives as well as a 3 HP Router Spindle.



Servo Drive System Smooth & Accurate

The Celero 3 Series comes standard with a robust drive motor system with servo drives to allow for powerful yet fluid motion.



Router Spindle Maximum Flexibility

The Celero 3 Series features a 3 HP, 24,000 RPM spindle which allows for a wide range of routing applications. Whether routing acrylic, dibond or any other dense substrates, you will experience quality cuts part after part.



Base Frame Steel Constructed Table

Built with a durable U.S. steel frame, which is stress relieved and precisely machined to significantly reduce vibration. This gives the operator tight control for precise knife cutting and routing.



MultiVision System Accurate Cut Path Every Time

Provides end-users additional flexibility as the camera system is able to visually recognize media registration marks and automatically compensate for skew and/or image drift.



Helical Rack Smooth Motion, Minimal Friction

Helical racks are standard on the Celero 3 Series and provide smooth and accurate motion as the gantry moves through all axes.



Auto Knife Changer Enhanced Cutting Capabilities

The Linear Knife Tool Changer allows you to automate your knife changing and eliminate costly error of manual operations. The Celero 3 maintains up to 6 automatic tool changers.



Vacuum Zones Maximum Material Hold Down

The Celero 3 Series comes standard with a 10 HP vacuum blower with four pneumatically controlled vacuum zones.



Computer Workstation Ergonomic & Convenient

The Celero 3 Series comes equipped with an ergonomically designed standalone computer workstation for easy access to the machine's controls.



EZ Control

Powerful, Intuitive Control

MultiCam's EZ Control provides all users, from novice to advanced, with the most powerful and easy-to-use control system available on today's market. New operators can be productive in as little as an hour!



Coreo Software

Workflow Management

The Celero 3 Series comes standard with Coreo software, allowing for simple integration into your existing workflow.

Options:

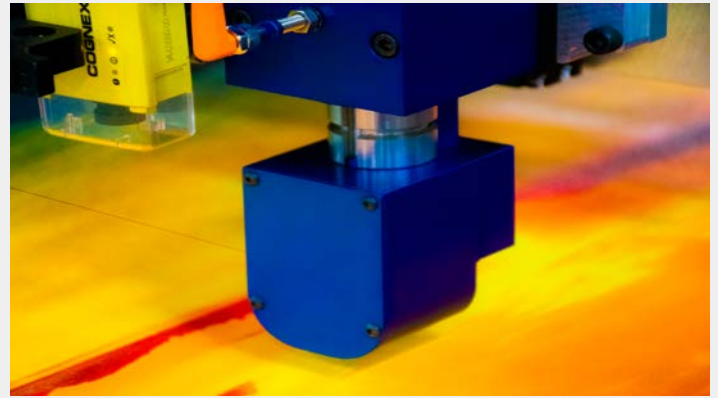
Passive Roll to Basket System

15 HP High-Flow Vacuum

Cana-Vac Dust Collection System

Driven Rotary Tool for Textiles

Knife Tool Options

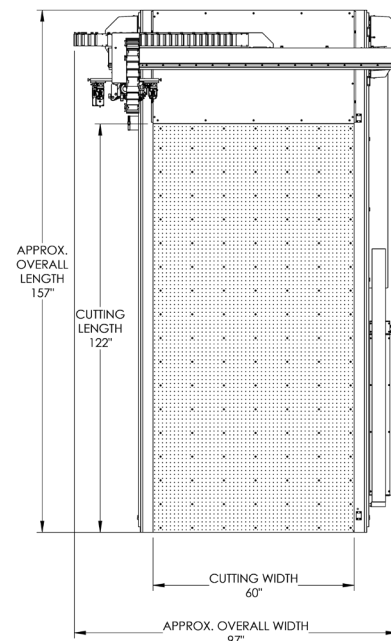
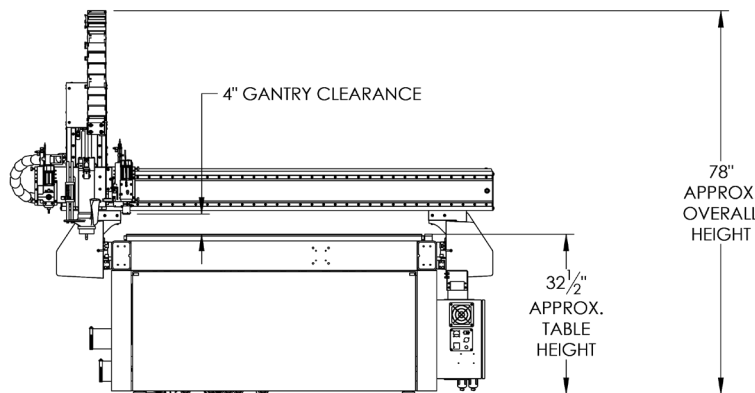
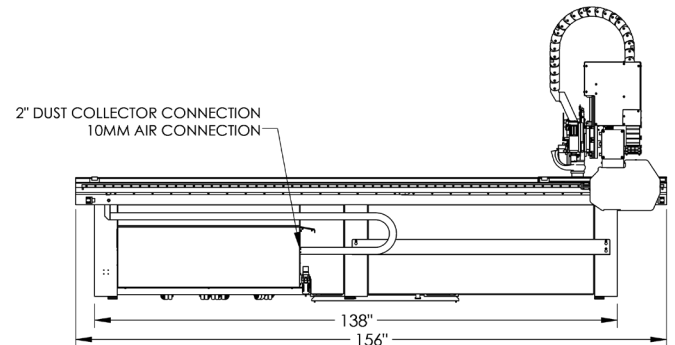


Driven Rotary Tool

Specifications	Inches	Metric
Cutting Speed	1710 IPM	723.9 mm/sec
Rapid Traverse	2418 IPM	1023.6 mm/sec
Max Acceleration	32.5 in./sec ²	825.5 mm/sec ²
Repeatability	+/-0.001"	+/-0.025mm
Max Material Thickness	2"	50.8mm
Drive System (X,Y)	Helical	Helical
Drive System (Z)	Ball Screw	Ball Screw

Model	Inches	Metric
3153	60" x 120"	1524mm x 3048mm

Specifications subject to change without notice.



For Tooling & Consumables visit MultiCamTooling.com

